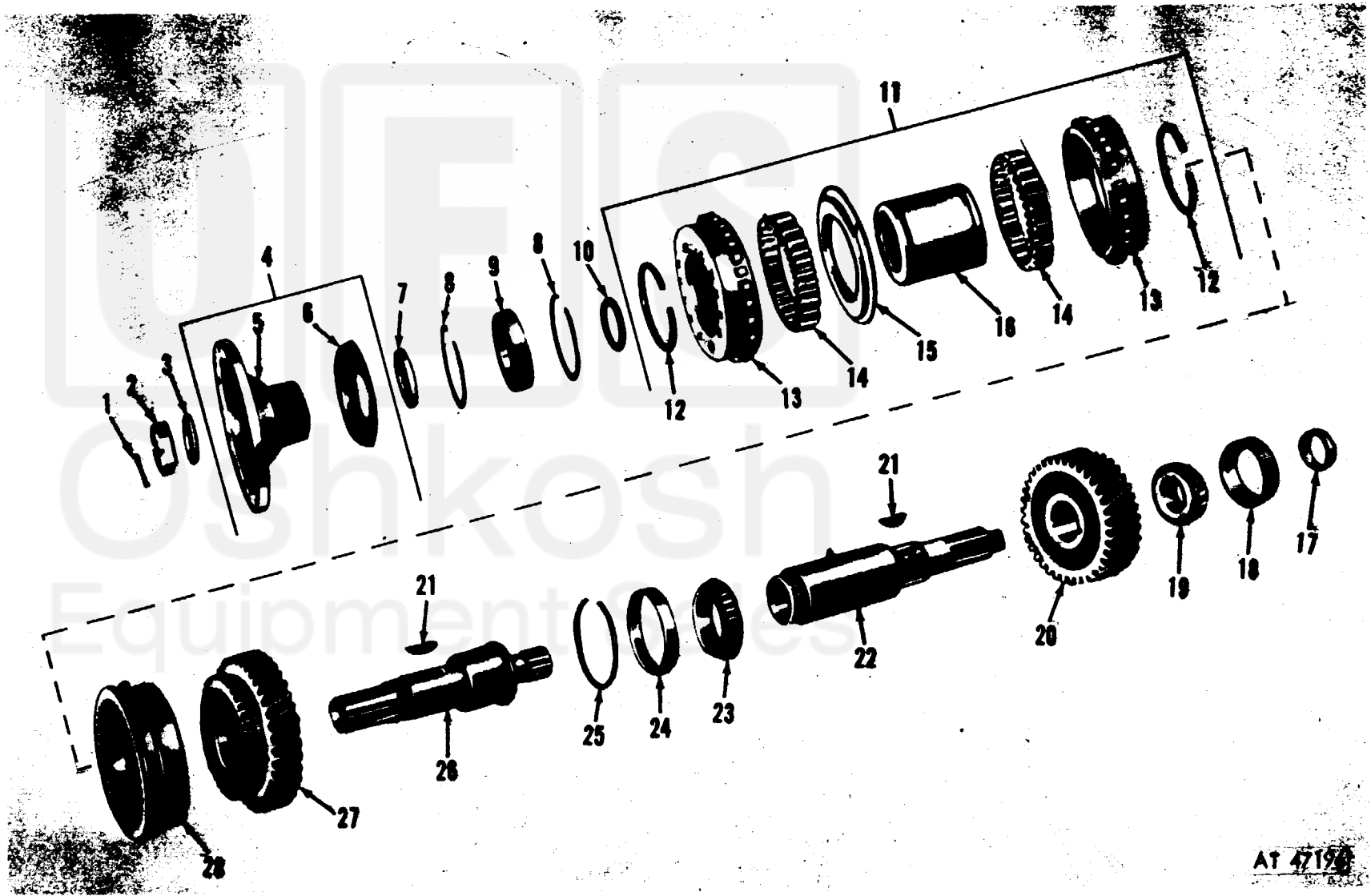


(1) SMR Code	(2) Federal Stock Number	(3) DESCRIPTION	(4) UNIT	(5) Qty	(6) 30-day DS maint	(7) 30-day GS maint	(8) 1-yr Depot	(9) Illustration	(10)	(a)	(b)	(c)	(a)	(b)	(c)	(a)	(b)	(c)	
			of meas		inc. in	allowance	allowance	alw	maint	per	100	per	equip	100	per	Figure	(a)	(b)	
					Unit						100	per	equip	100	per	Figure	(a)	(b)	
											cnt-	equip	No.	No.					
		Reference Number & Mfr. Code			Usable On Code						1-20	21-50	51-100	1-20	21-50	51-100	gcy		
		0801-POWER TRANSFER AND FINAL DRIVE ASSEMBLIES-CONTINUED																	
P-F	2520-301-7741	SHAFT: REAR AXLE 8332554 (19207)	A	EA	1	*	*	*	*	*	8	10	56	22					
P-F	3110-143-7524	CONE AND ROLLERS, TAPERED: 7376091 (19207)	A	EA	1	*	*	*	*	*	8	10	56	23					
P-F	3110-100-0960	CUP, TAPERED ROLLER BEARING: 712179 (21450)	A	EA	1	*	*	*	*	*	8	10	56	24					
P-F	5340-737-5287	RING, RETAINING: FRONT BEARING 7375287 (19207)	A	EA	1	*	*	*	*	*	6	10	56	25					
P-F	2520-734-6771	SHAFT, TRANSFER CASE: FRONT AXLE 7346771 (19207)	A	EA	1	*	*	*	*	*	8	10	56	26					
P-F	2520-734-6764	GEAR, HELICAL: OUTPUT SHAFT 7346764 (19207)	A	EA	1	*	*	*	*	*	8	10	56	27					
P-F	2520-734-6769	COLLAR, SHIFTER: SPRAG 7346769 (19207)	A	EA	1	*	*	*	*	*	8	10	56	28					
		0802-CLUTCH AND CLUTCH CONTROLS																	
P-O	4730-069-1187	ELBOW, ASSEMBLY, PIPE TO TUBE: MS39182-3 (96906)	A	EA	2	*	*	*	*	*	4	10	57	1					
P-O	5340-365-7338	ELBOW: COUPLING NUT 504256 (82722)	A	EA	2	*	*	*	*	*	4	10	57	2					
P-O	4730-293-7108	SLEEVE, COMPRESSION: ELBOW TO COUPLING NUT MS39197-3 (96906)	A	EA	5	*	*	*	*	*	4	10	57	3					
P-O	4730-278-8825	NUT, TUBE COUPLING: AIR LINE CONNECTOR MS39196-3 (96906)	A	EA	5	*	*	*	*	*	4	10	57	4					
P-O	2520-040-2304	LINE: ELBOW ASSEMBLY TO AIR LINE CONNECTOR 8330259 (19207)	A	EA	1	*	*	*	*	*	6	10	57	5					
P-O	5340-896-1094	CLAMP, LOOP: AIR LINE TO TRANSFER 573036 (21450)	A	EA	3	*	*	*	*	*	6	10	57	6					
P-O	4730-277-5684	ELBOW, PIPE: HOSE ASSEMBY TO LINE 121619 (21450)	A	EA	1	*	*	*	*	*	4	10	57	7					
P-O	2520-832-7000	HOSE ASSEMBLY, RUBBER: FLEXIBLE AIR TRANSMISSION VALVE 8327000 (19207)	A	EA	1	*	*	*	*	*	8	10	57	8					
P-O	4730-540-2576	ELBOW, ASSEMBLY, PIPE TO TUBE: RUBBER HOSE ASSEMBLY 504365 (24617)	A	EA	1	*	*	*	*	*	4	10	57	9					
P-O	4730-278-3832	ELBOW: RUBBER HOSE TO COUPLING NUT MS39184-3 (96906)	A	EA	1	*	*	*	*	*	4	10	57	10					



AT 47196

Figure 56. Transfer output shafts and related parts.